

CNC Lathe

# ANS SERIES

ANS31 / 40 / 42  
ANS3100 / 4000 / 4200 (for North America)

**Modular machine with 1 spindle,  
1 turret and 1 robot**

The ANS machine is suitable for line integration such as with the ANW-dual spindle lathe for an efficient, automated pass through system.  
The vertical column provides excellent evacuation of chips.



ANS31 / 3100  
ANS42 / 4200  
ANS40 / 4000



The above photo includes options.

### 2-spindle 1-robot



(ANW series)

### Fast and accurate turret



### Shaft work available with the built-in type tailstock

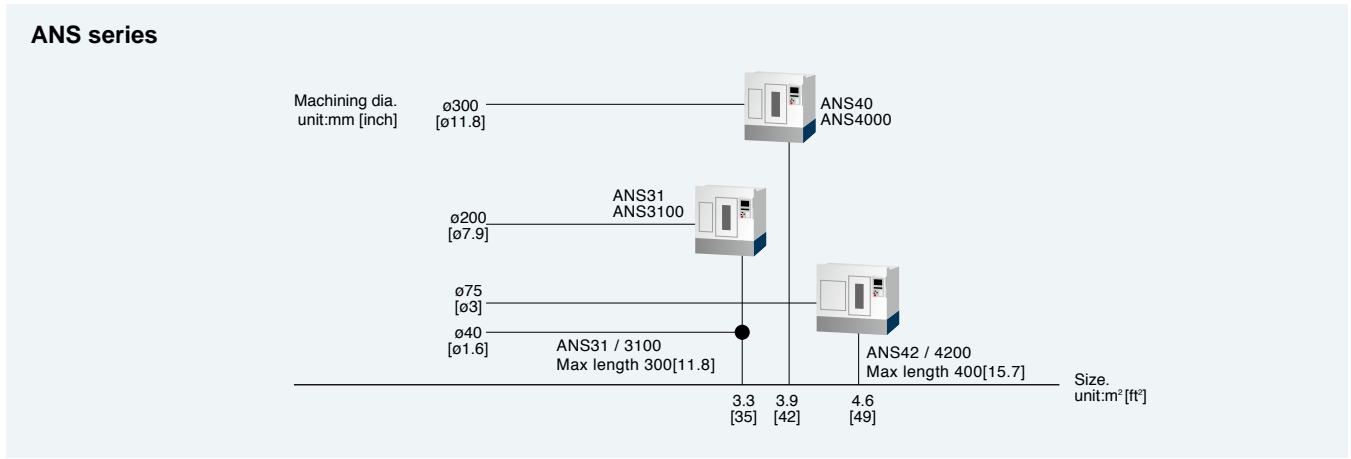
ANW35 / 3500  
ANS31 / 3100, ANS42 / 4200



### Combined use with an ANW as a cell



## ANS series line up



## Specifications for ANS series

### Machine Specifications

		ANS31/3100	ANS40/4000	ANS42/4200
Recommended work size	mm	ø200 X 90 [ ø7.9 X 3.5 ]	ø300 X 120 [ ø11.8 X 4.7 ]	MAX 400 [ 15.7 ] (length)
Spindle dia.	mm [ inch ]	ø100 [ 3.9 ]	ø120 [ 4.7 ]	ø120 [ 4.7 ]
Spindle nose		A2-6	A2-8	A2-8
Spindle bore	mm [ inch ]	ø56 [ 2.2 ]	ø67 [ 2.6 ]	ø67 [ 2.6 ]
Spindle speed	r.p.m	Max. 3500	Max. 3000	Max. 3000
Spindle motor	kw [ hp ]	11/15 [ 15/20 ]	18.5/22 [ 25/30 ]	18.5/22 [ 25/30 ]
Number of tool stations		8	12	12
Turret index time	sec	0.4	1.2	1.2
Turret mechanism		Cam	Two piece coupling	Two piece coupling
Chuck size	inch	8	10	10
CNC control		FANUC 0i-TD	FANUC 0i-TD	FANUC 0i-TD
Slide stroke	X-axis mm [ inch ]	225 [ 8.86 ]	265 [ 10.43 ]	265 [ 10.43 ]
	Z-axis mm [ inch ]	465 [ 18.31 ]	445 [ 17.52 ]	700 [ 27.56 ]
Feed motor	X-axis kw [ hp ]	3.0 [ 4.0 ]	4.0 [ 5.4 ]	4.0 [ 5.4 ]
	Z-axis kw [ hp ]	3.0 [ 4.0 ]	4.0 [ 5.4 ]	4.0 [ 5.4 ]

### Robot Specifications

	L292-H	L292-B1	L292-B1
Robot			
Carrying capacity	kg [ lb. ]	5+5 [ 11+11 ]	10+10 [ 22+22 ]
Robot controller		MAX SP1	MAX SP1

### Machine Size

	1750 X 1906 [ 5'9" X 6'3" ]	1850 X 2106 [ 6'1" X 6'11" ]	2150 X 2156 [ 7'1" X 7'1" ]
Footprint	mm X mm [ feet, inch X feet, inch ]		
Machine height	mm [ feet, inch ]	2260 [ 7'5" ]	2420 [ 7'11" ]
Machine weight	kg [ lb. ]	3500 [ 7700 ]	4000 [ 8800 ]

### Machine Specifications

		ANS31/3100	ANS40/4000	ANS42/4000
Max. work length	mm [ inch ]	300 [ 11.8 ]	350 [ 13.8 ]	400 [ 15.7 ]
Center built-in type		MT.4	MT.4	MT.4
Quill stroke	mm [ inch ]	130 [ 5.12 ]	130 [ 5.12 ]	130 [ 5.12 ]
Quill dia	mm [ inch ]	ø100 [ 3.9 ]	ø100 [ 3.9 ]	ø100 [ 3.9 ]

Specifications are subject to change without notice.

## Work example

